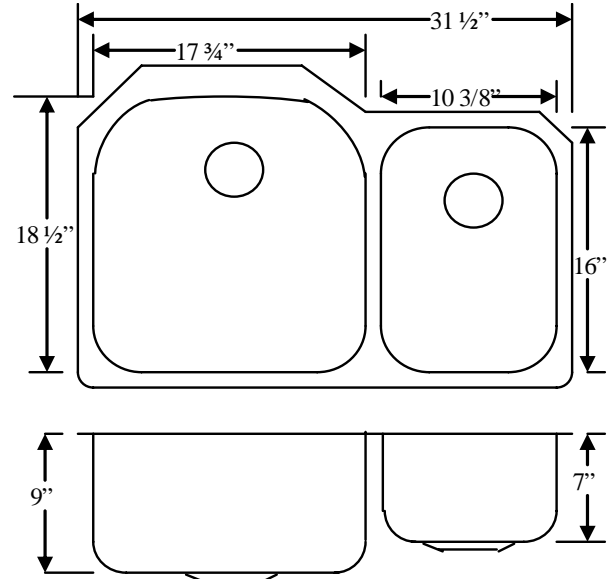
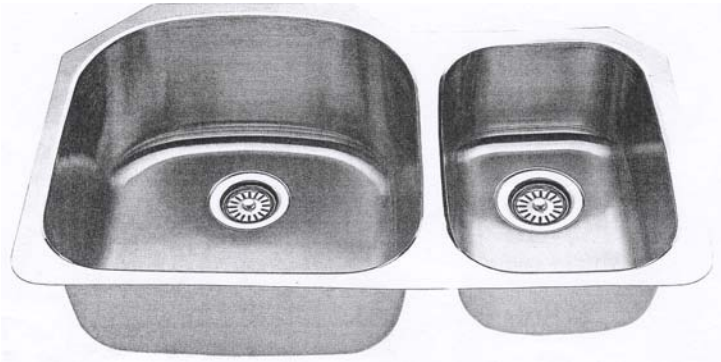


→ **This sink requires a single hole faucet.** ←



Features & Product Information

- 31-1/2" x 20-3/4" x 9" Overall
- Highest quality sink seamlessly drawn of #18 gauge, T-304, stainless steel.
- Underside of sink is fully protected by heavy-duty undercoating and rubber pad to prevent condensation and deaden sound.
- Exposed surfaces are hand blended to a lustrous highlighted satin finish.
- Requires a minimum 33" Sink Base cabinet to properly install without cabinet modification.

Inside Sink Dimensions

	Length X	Width X	Depth
Left Side	17-3/4"	18-1/2"	9"
Right Side	10-3/8"	16"	7"

All drain holes in sinks are nominally 3-1/2" in diameter and accept all standard drain hardware, including waste disposal units.

Sink Mounting Method

