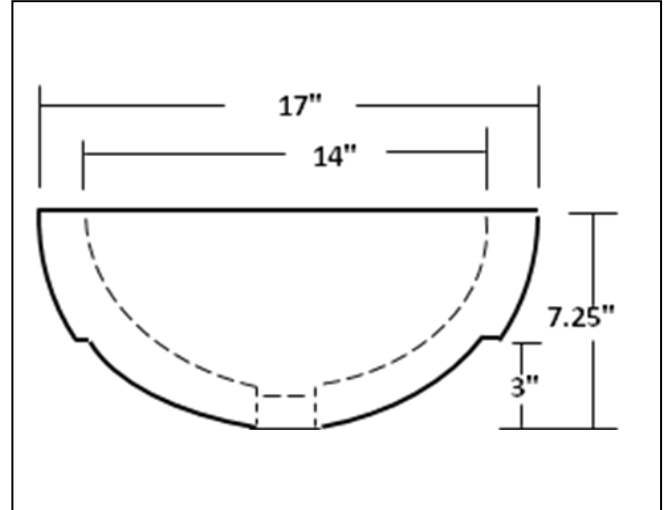


WISENBAKER BUILDER SERVICES

MIRADO® COPPER VESSELS LAVATORY

Style #V-1100

➔ This sink requires a high-rise or wall-mount faucet. ➔



Features & Product Information

- 17" diameter x 7.25" depth overall.
- Dual wall hammered copper vessel.
- Sink is recessed 3" into countertop, projects above countertop 4 1/4".
- Exposed surfaces are hand blended to a lustrous aged satin finish.
- Requires a minimum 15" Sink Base cabinet to properly install without cabinet modification.

Inside Sink Dimensions

Diam. X Depth			
Lavatory	14"	6"	

All drain holes in sinks are nominally 1-1/2" in diameter and accept all standard drain hardware.

Sink Mounting Method

